

Rail-to-Rail I/O, High-Slew-Rate OP Amp

Features

- +3V to +5.5V Single-Supply Operation
- Input / Output Rail-to-Rail
- Low input current
- High output driving capacity
- Low Quiescent Current: 500 μ A @ 5V
- High Slew rate 6.5V/ μ s
- High Gain-Bandwidth Product 6.5MHz
- High Open Loop Gain 95dB
- High PSRR 70dB

Applications

- Headphone Driver
- Portable Equipment
- Battery-Powered Equipment
- Multimedia Audio
- ASIC Input or Output Amplifier
- Sensor Amplifier
- Low Power/Low Voltage Applications

General Description

G1211 is a input/output rail-to-rail Operational Amplifier. It can be operated from +3V to +5.5V single supply or from $\pm 1.5V$ to $\pm 2.75V$ dual supply. G1211 can drive 66mA into resistor loads to within 10% power rail. AC performance is very excellent with 6.5MHz bandwidth, 6.5V/ μ s Slew Rate, 95dB open loop gain, 60 degree phase margin and low distortion.

Supply current of G1211 is only 500 μ A per Amplifier. It is very suitable for low current consumption applications to control high current loads. Applications include audio amplification for computers, sound ports, sound cards and set-top boxes.

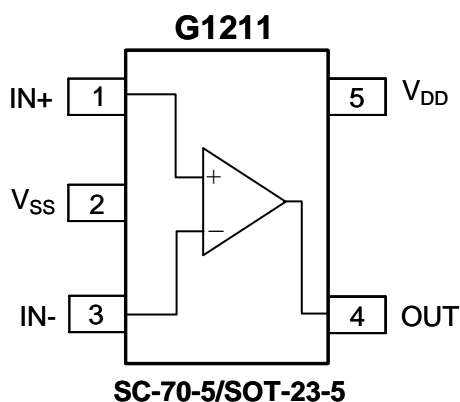
G1211 is housed in a 5-pin small SOT-23-5 and SC-70-5 package.

Ordering Information

ORDER NUMBER	ORDER NUMBER (Pb free)	MARKING	TEMP. RANGE	PACKAGE
G1211TAU	G1211TAUf	11XX	-40°C to 85°C	SC-70-5
G1211T1U	G1211T1Uf	1211X	-40°C to 85°C	SOT-23-5

Note:T1: SOT-23-5 TA: SC-70-5
U: Tape & Reel

Pin Configuration



Typical Application Circuit

