

18+1 Channel Voltage Buffers for TFT LCD

Features

- Supply Operation Range : 6.5V to 19.5V
- 18+1 Channels :
 - 18 Gamma Buffers with each Continuous Output Current of $\pm 30\text{mA}$ (MAX)
 - 1 Vcom Buffer with Continuous Output Current of $\pm 100\text{mA}$ (MAX)
- Supply Current at $V_{DD}=10\text{V}$: 14mA (TYP)
- Unity Gain Vcom Buffer Capable of Driving Large Capacitive Loads
- Input Common Mode Range beyond the Rails
- Rail-to-Rail Output Voltage Swing
- Peak Output Current :
 - Gamma Buffer : $\pm 120\text{mA}$
 - Vcom Buffer : $\pm 300\text{mA}$
- TQFP7X7-48 & TQFP7X7-48 (FD) Package Available

Applications

- TFT-LCD monitors
- LCD televisions

General Description

The G1574 consists of 18+1 channel buffers target toward the needs of thin film transistor liquid crystal display (TFT LCD). This device incorporates one Vcom buffer and 18 gamma buffers. Each buffer is capable of driving heavy capacitive loads and offering large current loading (Vcom: 100mA, Gammas: 30mA).

The G1574 is available in the TQFP7X7-48 and TQFP7X7-48 (FD) package.

Ordering Information

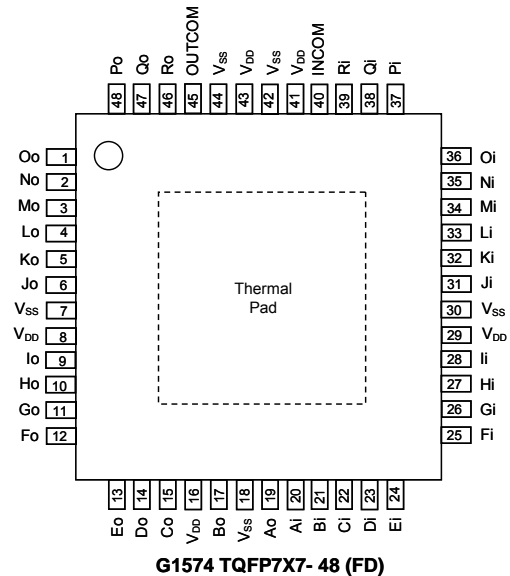
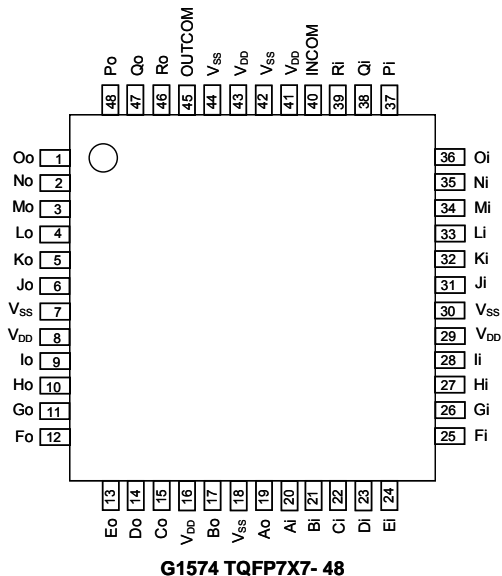
ORDER NUMBER	MARKING	TEMP. RANGE	PACKAGE (Green)
G1574H71U	1574	-40°C to 85°C	TQFP7X7-48
G1574F71U	1574	-40°C to 85°C	TQFP7X7-48 (FD)

Note : H7 : TQFP7X7-48 F7 : TQFP7X7-48 (FD)

1: Bonding Code

U: Tape & Reel

Pin Configuration



Note: Recommend connecting the Thermal Pad to the VSS for excellent power dissipation.