

5+1CH serial input motor driver IC for DSC

Features

- Built-in 4 full-swing/constant voltage drivers switched by serial control with brake function
- Built-in 2 constant current drivers for shutter or IRIS
- Low on-resistance (1.2Ω, sum of on-resistance of up side and bottom side)
- Output current : $I_{OUT} \leq 0.8A(\text{max.})$ for each channel
- Built-in thermal shutdown (TSD, 150°C)
- Built-in CC mode weak excitation
- CH1/2 corresponds to STM control of 2-2 phase or 1-2 phase
- Built-in exclusive control mode: CH13/23 → the combination control mode of 6CH is set
- All power supply systems (VCC, VM12, VM3, VM45) can be set up with an independent power supply
- Power save mode corresponds by serial control setup
- PI (photo interrupter drive) 3 channel built-in.
- Small 32TQFN (4x4mm) is adopted

Applications

Stepping motor driver/ DC motor driver for DSC

General Description

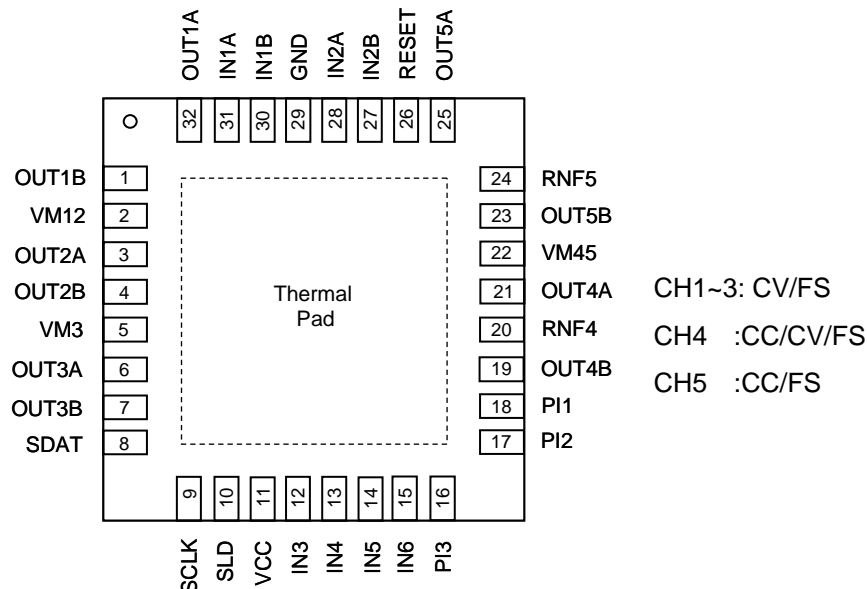
G2028 is a 5+1-channel H-Bridge motor drivers IC for the digital camera and so on. It has four full-swing/constant voltage drivers and two full-swing/constant current drivers. G2028 can be operated in serial control mode or partial exterior control mode. When operating in partial exterior control mode, the mode of each CH is fixed by initial serial control setting. When operating in serial control mode, the mode of each driver can be setting by serial control.

Ordering Information

ORDER NUMBER	MARKING	TEMP. RANGE	PACKAGE (Green)
G2028K11U	2028	-20°C to +85°C	TQFN4X4-32

Note: K1: TQFN4X4-32
 1: Bonding Code
 U: Tape & Reel

Pin Configurations



G2028 TQFN4X4-32

Note: Recommend connecting the Thermal Pad to the Ground for excellent power dissipation.