

## High Efficiency 8A Synchronous Buck Converter

### Features

- Ultra-High Efficiency
- Low Quiescent Current of 60 $\mu$ A
- Integrated 15m $\Omega$  at VCC=5V N-Channel MOSFET for Low Side
- Integrated 30m $\Omega$  at VCC=5V N-Channel MOSFET for High Side
- No Current-Sense Resistor (Lossless I<sub>LIMIT</sub>)
- Quasi-PWM with 100ns Load-Step Response
- 1% VOUT Accuracy Over Line and Load
- Programmable Switching Frequency
- 0.75V to 3.6V Adjustable Output Range
- 3V to 28V Adapter or Battery Input Range
- Integrated Boost Switch
- OVP & UVP
- Over Temperature Protection (non-latch)
- 2ms Soft-Start
- Power-Good Indicator

### General Description

G5385A is a 8A, synchronous DC/DC buck converter with integrated 30m $\Omega$  N-channel high-side MOSFET and 15m $\Omega$  N-channel low-side MOSFET. It uses constant on-time control scheme to handle wide input/output voltage ratios with ease and provides 100ns "instant-on" response to load transients while maintaining a relatively constant switching frequency. The G5385A achieves high efficiency at a reduced cost by eliminating the current-sense resistor found in traditional current-mode PWMs. Single-stage buck conversion allows these devices to directly step down high-voltage batteries for the highest possible efficiency. The G5385A is intended for the power supply of Notebook Computer, or other low-voltage supplies as low as 0.75V. The G5385A is available in QFN4X4-28 package.

### Applications

- Notebook Computers
- I/O Supply
- Chipset/RAM Supply as Low as 0.75V
- Networking Power Supply

### Ordering Information

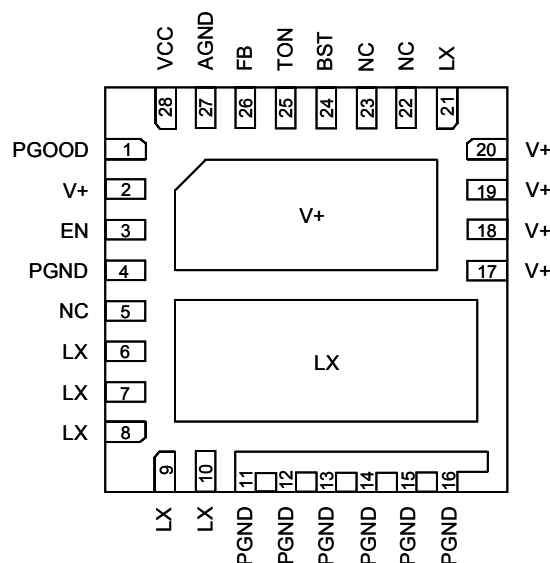
ORDER NUMBER	MARKING	TEMP. RANGE	PACKAGE (Green)
G5385AQN1U	5385A	-40°C to +85°C	QFN4X4-28

Note: QN: QFN4X4-28

1: Bonding Code

U: Tape & Reel

### Pin Configuration



**G5385A QFN4X4-28**

Note: Recommend connecting the Thermal Pad to the Ground for excellent power dissipation.