

400kHz 4A Synchronous Step-down DC/DC

Features

- 4A Output Current
- Stable with Low ESR Output Ceramic Capacitors
- Up to 90% Efficiency
- 25 μ A Shutdown Mode
- Fixed 400kHz Frequency
- Thermal Shutdown
- Cycle-by-Cycle Over Current Protection
- Wide 7V to 18V Operating Input Range
- Available in DIP-8 and SOP-8 (FD) Package

Applications

- PC Monitors
- DSL Modems
- Distributed Power Systems
- Pre-Regulator for Linear Regulators

General Description

The G5759 is a monolithic step-down switch mode regulator with a built in internal power MOSFET. It achieves 4A continuous output current over a wide input supply range with excellent load and line regulation.

Current mode operation provides fast transient response and eases loop stabilization.

Fault condition protection includes cycle-by-cycle current limiting, output short circuit protection and thermal shutdown. In shutdown mode the regulator draws 25 μ A of supply current. Programmable soft-start overwrites the internal soft-start for various requirement of output power up ramp and minimizes the inrush supply current at initial startup.

The G5759 requires a minimum number of readily available standard external components. It is available in a DIP-8 and SOP-8 (FD) package.

Ordering Information

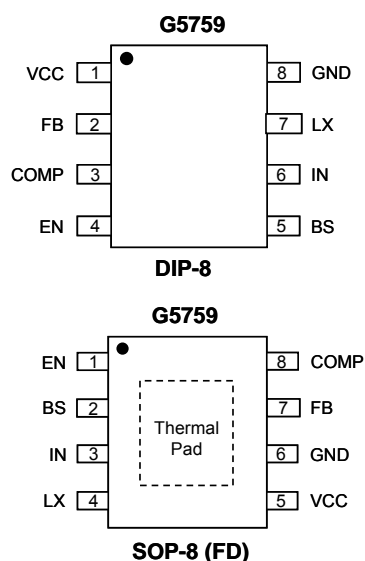
ORDER NUMBER	MARKING	TEMP. RANGE	PACKAGE (Green)
G5759Z31U	G5759	-40°C to +85°C	DIP-8
G5759F11U	G5759	-40°C to +85°C	SOP-8 (FD)

Note: Z3: DIP-8 F1: SOP-8 (FD)

1: Bonding Code

U : Tape & Reel

Pin Configuration



Note: Recommend connecting the Thermal Pad to the Ground for excellent power dissipation.

Typical Application Circuit

