

500mA Low-Dropout Linear Regulators

Features

- Low, 100 μ A No-Load Supply Current
- 500mA Output Current Limit Minimum
- 500mA Available at $V_O=3.3V$, $V_{IN}=4.3V$
- 300mA Current Rating
- Over-Temperature Protection and Short-Circuit Protection
- Max. Supply Current in Shutdown Mode < 1 μ A
- Stable with Low Cost Ceramic Capacitors

Applications

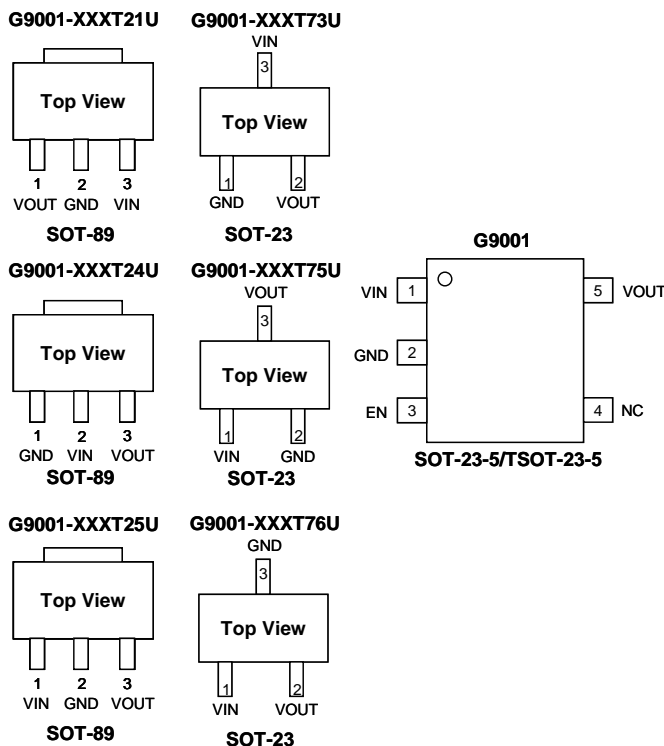
- Notebook Computers
- Cellular Phones
- PDAs
- Digital still Camera and Video Recorders
- Hand-Held Devices
- Bar Code Scanners

General Description

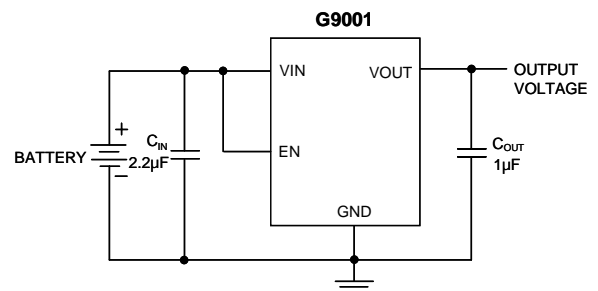
The G9001 is a low supply current, low dropout linear regulator. The supply current at no-load is 100 μ A. In the shutdown mode, the maximum supply current is less than 1 μ A. Output current minimum limit is 500mA, and over-current protection limit is set at 860mA typical. An overtemperature protection circuit is built-in in the G9001 to prevent thermal overload. These power saving features make the G9001 ideal for use in the battery-powered applications such as notebook computers, cellular phones, and PDA's.

These devices feature a shutdown function and are offered in active low with auto discharge. The G9001 is specifically designed to employ ceramic output capacitors. The G9001 comes in a space saving SOT-89, SOT-23, SOT-23-5 and TSOT-23-5 package.

Pin Configuration



Typical Application Circuit



Ordering Information

ORDER NUMBER	MARKING	VOLTAGE	TEMP. RANGE	PACKAGE (Green)
G9001-120T11U	900Ax	1.20V	-40°C~ +85°C	SOT-23-5
G9001-180T11U	900Fx	1.80V	-40°C~ +85°C	SOT-23-5
G9001-250T11U	900Ix	2.50V	-40°C~ +85°C	SOT-23-5
G9001-260T11U	900Jx	2.60V	-40°C~ +85°C	SOT-23-5
G9001-280T11U	900Lx	2.80V	-40°C~ +85°C	SOT-23-5
G9001-300T11U	900Nx	3.00V	-40°C~ +85°C	SOT-23-5
G9001-330T11U	900Px	3.30V	-40°C~ +85°C	SOT-23-5
G9001-500T11U	90AQx	5.00V	-40°C~ +85°C	SOT-23-5
G9001-250TO1U	900Ix	2.50V	-40°C~ +85°C	TSOT-23-5
G9001-300TO1U	900Nx	3.00V	-40°C~ +85°C	TSOT-23-5
G9001-120T21U	9001A	1.20V	-40°C~ +85°C	SOT-89
G9001-180T21U	9001F	1.80V	-40°C~ +85°C	SOT-89
G9001-250T21U	9001I	2.50V	-40°C~ +85°C	SOT-89
G9001-330T21U	9001P	3.30V	-40°C~ +85°C	SOT-89
G9001-500T24U	9001BQ	5.00V	-40°C~ +85°C	SOT-89
G9001-180T25U	9001AF	1.80V	-40°C~ +85°C	SOT-89
G9001-250T25U	9001AI	2.50V	-40°C~ +85°C	SOT-89
G9001-330T25U	9001AP	3.30V	-40°C~ +85°C	SOT-89
G9001-120T73U	90AAx	1.20V	-40°C~ +85°C	SOT-23
G9001-300T73U	90ANx	3.00V	-40°C~ +85°C	SOT-23
G9001-330T75U	90EPx	3.30V	-40°C~ +85°C	SOT-23
G9001-330T76U	900Px	3.30V	-40°C~ +85°C	SOT-23

For other output voltage, please contact us at sales@gmt.com.tw

Note:T1: SOT-23-5 TO: TSOT-23-5 T2: SOT-89 T7:SOT-23

1, 3, 4, 5 & 6: Bonding Code

U: Tape & Reel