

**500mA High PSRR, Low Noise, LDO Regulators****Features**

- Low, 90 μ A No-Load Supply Current
- Dropout Voltage is 200mV @ 150mA Load
- PSRR=70dB
- Over-Temperature Protection and Short-Circuit Protection
- Output Voltage is 5.00V
- Max. Supply Current in Shutdown Mode < 1 μ A
- Low Output Noise at 28 μ V_{RMS} with bypass Capacitor
- Stable with low cost ceramic capacitors

Applications

- Notebook Computers
- Cellular Phones
- PDAs
- Digital still Camera and Video Recorders
- Hand-Held Devices
- Audio Codec

General Description

The G916-500 is a low supply current, high PSRR, low noise, and low dropout linear regulator that comes in a space saving SOT-23-5 package. The regulate output voltage range is 5V. The supply current at no-load is 90 μ A. In the shutdown mode, the maximum supply current is less than 1 μ A. Operating voltage range is from 5V to 7V. The over-current protection limit is set at 550mA typical. An over-temperature protection circuit is built-in in the Device to prevent thermal overload. These power saving features make the G916-500 ideal for use in the battery-powered applications such as notebook computers, cellular phones, and PDA's.

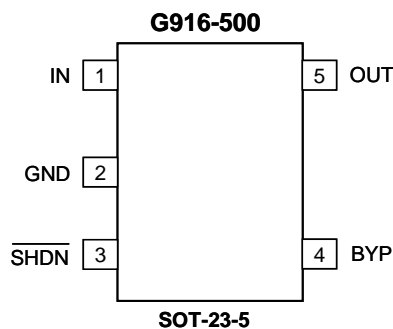
Ordering Information

ORDER NUMBER	MARKING	VOLTAGE	TEMP. RANGE	PACKAGE (Green)
G916-500T1U	96BPx	5.00V	-40°C~ +85°C	SOT-23-5

For other output voltage, please contact us at sales@gmt.com.tw

Note: T1: SOT-23-5

U: Tape & Reel

Pin Configuration**Typical Application Circuit**