

High Input Voltage, High PSRR, Low Quiescent Current LDO Regulator

Features

- Low Current Consumption , Typically 10 μ A
- Output Voltage Accuracy $\pm 2.5\%$
- Output Adjusts from 1.24 to (V_{IN}-1)V
- Low Dropout Voltage of 320mV @ I_O = 30mA
- Stable with Ceramic or Tantalum Capacitors
- Wide Operating range : 5V ~ 24V
- Low Shutdown Current , Typically 1 μ A
- Good Line Regulation and Load Regulation Specifications
- Thermal Shutdown and Current Limit Protection Embedded
- SOT-23-5 and SOP-8 Package Available

Applications

- Keep-Alive Supply in Notebook and Portable Computers
- Logic Supply for High-Voltage Batteries
- Automotive Electronics
- Battery Powered Systems
- 3-4 Cell Li-Ion Battery Input Range

General Description

The G922 is a highly accurate, low dropout regulator with 100mA output driving capacity and ultra-low ground current. The G922 can work in a wide operation range from 5V up to 24V. The quiescent current is small even at high input voltage. The typical current consumption is about 10 μ A. It is stable with either ceramic or tantalum output capacitor, the minimum output capacitor is only 2.2 μ F required. It is very suitable for the battery-powered portable equipment, especially the keep-alive system. The G922 can provide the higher performance and a longer battery service life.

Ordering Information

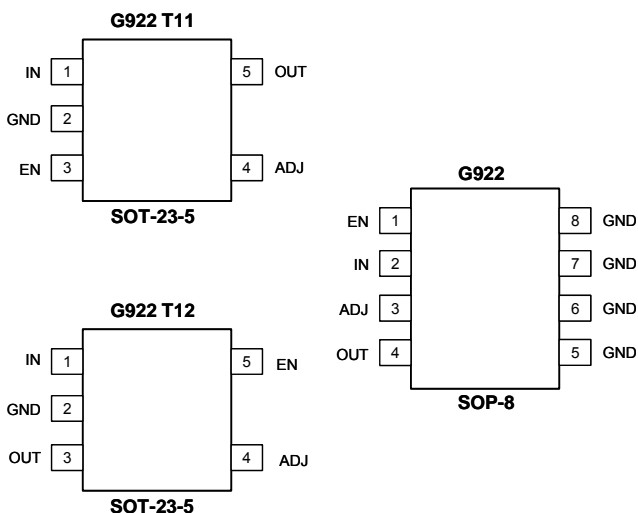
ORDER NUMBER	MARKING	TEMP. RANGE	PACKAGE (Green)
G922T11U	922Ax	-40°C to 85°C	SOT-23-5
G922T12U	922Bx	-40°C to 85°C	SOT-23-5
G922P11U	G922A	-40°C to 85°C	SOP-8

Note: T1: SOT-23-5 P1: SOP-8

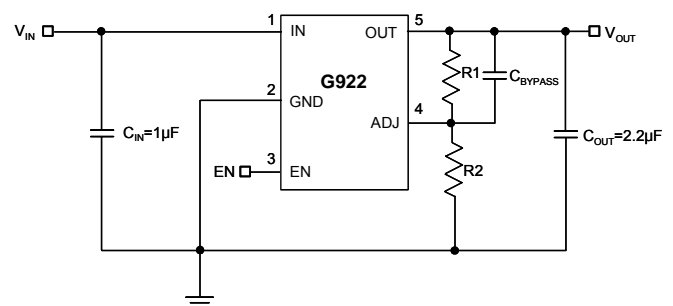
1or 2: Bonding Code

U: Tape & Reel

Pin Configuration



Typical Application Circuit



Note: *R2(Feed back resistor) should be smaller than 300k Ω
 **C_{BYPASS} is optional