

2A Low Dropout Regulator

Features

- Fixed Output Voltage 1.8V and 2.5V
Connect ADJ to GND for Fixed Output Mode
- Adjustable Output Using External Resistors
- Over Current and Over Temperature Protection
- Output Current 2A
- SOP-8 (FD) Package

Applications

- Battery Powered Systems
- Motherboards
- Peripheral Cards
- Network Cards
- Set Top Boxes
- Notebook Computers

General Description

The G954 is a high performance positive voltage regulator designed for use in applications requiring very low dropout voltage at up to 2 Amps. Since it has superior dropout characteristics compared with regular LDOs, it can be used to supply 2.5V on motherboards or 1.8V on peripheral cards from the power supply thus allowing the elimination of costly heatsinks. The G954 provides excellent regulation over variations in line, load and temperature. It provides over current and over temperature protection functions.

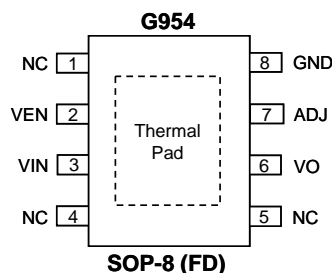
The G954 is available with 1.8V, 2.5V when ADJ pin connected to GND and adjustable outputs using external resistors in SOP-8 (FD) package.

Ordering Information

ORDER NUMBER	MARKING	VOLTAGE	TEMP. RANGE	PACKAGE (Green)
G954-18ADJF11U	G954-18	1.8V	-40°C ~ +85°C	SOP-8 (FD)
G954-25ADJF11U	G954-25	2.5V	-40°C ~ +85°C	SOP-8 (FD)

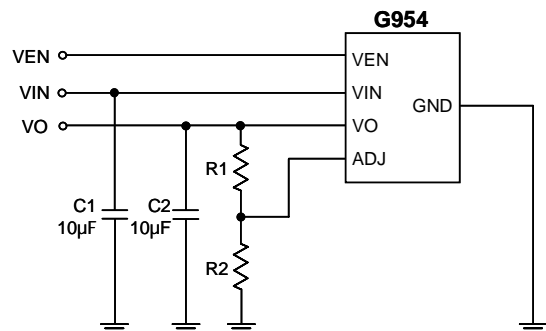
Note: F1: SOP-8 (FD)
1: Bonding Code
U: Tape & Reel

Pin Configuration



Note: Recommend connecting the Thermal Pad to the Ground for excellent power dissipation.

Typical Application Circuit



$$V_O = \frac{1.2(R_1 + R_2)}{R_2} \text{ Volts}$$

R2=12kΩ is recommended
R2=0Ω sets V_o to fixed output mode.