

1A Low Dropout Regulator with Enable

Features

- Adjustable Output from 1.2V to 4.8V Using External Resistors
- 1.5V, 1.8V and 2.5V Options by Setting ADJ Pin Below 0.2V
- Over current and over temperature protection
- 400mV dropout @1A
- Enable pin
- 10μA quiescent current in shutdown
- SOT-89-5 Package

Applications

- Battery powered systems
- Motherboards
- Peripheral cards
- Network cards
- Set Top Boxes
- Medical Equipment
- Notebook Computers

General Description

The G961 is a high performance positive voltage regulator designed for use in applications requiring very low dropout voltage at up to 1 Amps. Since it has superior dropout characteristics compared to regular LDOs, it can be used to supply 2.5V on motherboards or 1.5V, 1.8V on peripheral cards from the 3.3V supply thus allowing the elimination of costly heatsinks. An enable pin further reduces power dissipation while shut down. The G961 provides excellent regulation over variations in line, load and temperature.

The SOT-89-5 is available with 1.5V, 1.8V and 2.5V internally preset outputs that are also adjustable using external resistors.

Ordering Information

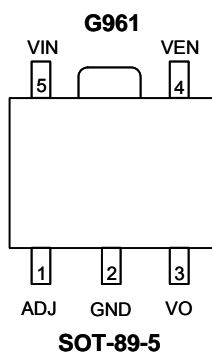
ORDER NUMBER (Pb free/Green)	MARKING	TEMP. RANGE	PACKAGE
G961-15ADJTEUf	961-15	-40°C ~ +85°C	SOT-89-5
G961-18ADJTEUf	961-18	-40°C ~ +85°C	SOT-89-5
G961-25ADJTEUf	961-25	-40°C ~ +85°C	SOT-89-5

Note: TE: SOT-89-5

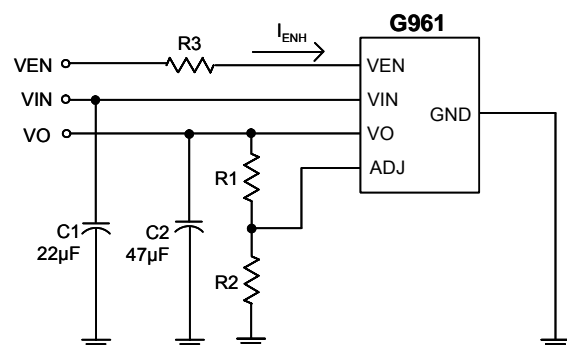
U : Tape & Reel

e.g. 18 denotes the 1.8V output voltage.

Pin Configuration



Typical Application Circuit



$$VO = \frac{1.2 (R1+R2)}{R2} \text{ Volts}$$

R2=12kΩ is recommended

R3 should be connected for current I_{ENH} restriction as $V_{EN} > V_{IN} + 0.3V$