



# 1A Low Dropout Regulator with Enable

## Features

- Adjustable Output Low to 0.8V
- Input Voltage as Low as 1.4V and VPP Voltage 5V
- 150mV Dropout @ 1A, VO 1.2V
- Over Current and Over Temperature Protection
- Enable Pin
- Low Reverse Leakage (Output to Input )
- VO Stable with Ceramic Capacitor
- ±2% Output Voltage
- VO Power OK Signal
- 1.2V, 1.5V, 1.8V and 2.5V Options by Setting ADJ Pin Below 0.2V and Adjustable Externally Using Resistors
- VO Pull Low Resistance when Disable
- SOP-8 Packages

## Applications

- Motherboards
- Peripheral Cards
- Network Cards
- Set Top Boxes
- Notebook Computers

## Ordering Information

ORDER NUMBER	MARKING	TEMP. RANGE	PACKAGE (Pb free)
G964-12ADJP11U	G964-12	-40°C~+85°C	SOP-8
G964-15ADJP11U	G964-15	-40°C~+85°C	SOP-8
G964-18ADJP11U	G964-18	-40°C~+85°C	SOP-8
G964-25ADJP11U	G964-25	-40°C~+85°C	SOP-8

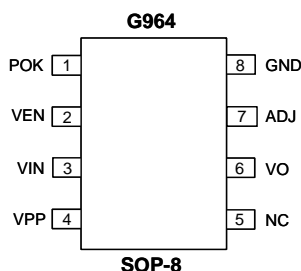
Note: P1: SOP-8

1: Bonding Code

U : Tape & Reel

e.g. 18 denotes the 1.8V output voltage

## Pin Configuration

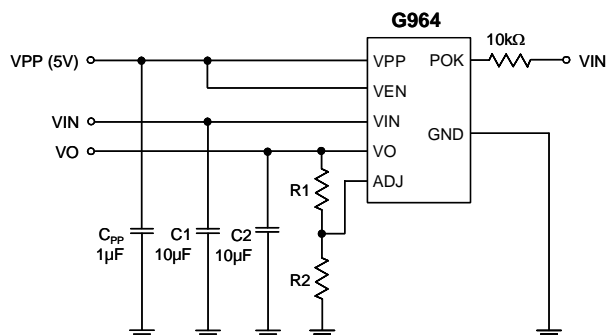


## General Description

The G964 is a high performance positive voltage regulator designed for use in applications requiring very low Input voltage and very low dropout voltage at up to 1 amps. It operates with a  $V_{IN}$  as low as 1.4V and VPP voltage 5V with output voltage programmable as low as 0.8V. The G964 features ultra low dropout, ideal for applications where  $V_{OUT}$  is very close to  $V_{IN}$ . Additionally, the G964 has an enable pin to further reduce power dissipation while shutdown. The G964 provides excellent regulation over variations in line, load and temperature. The G964 provides a power OK signal to indicate if the voltage level of VO reaches 92% of its rating value.

The G964 is available in the power SOP-8 package. It is available with 1.2V, 1.5V, 1.8V and 2.5V internally preset outputs that are also adjustable using external resistors.

## Typical Application Circuit



$$VO = \frac{0.8 (R1+R2)}{R2} \text{ Volts}$$

$R2 < 120k\Omega$  is recommended