

## 2A Low Dropout Regulator with Enable

### Features

- Adjustable Output Low to 0.8V
- Input Voltage as Low as 1.4V and VPP Voltage 5V
- 300mV Dropout @ 2A, VO 1.2V
- Over Current and Over Temperature Protection
- Enable Pin
- Low Reverse Leakage (Output to Input )
- Power SOP-8 (FD) Packages with Thermal Pad
- ±2% Output Voltage
- VO Power OK Signal
- 2.5V Options by Setting ADJ Pin Below 0.2V and Adjustable Externally Using Resistors
- VO Pull Low Resistance when Disable

### Applications

- Motherboards
- Peripheral Cards
- Network Cards
- Set Top Boxes
- Notebook Computers

### Ordering Information

ORDER NUMBER (Pb free/Green)	MARKING	TEMP. RANGE	PACKAGE
G966-25ADJF1Uf	G966-25	-40°C~+85°C	SOP-8 (FD)

Note: F1: SOP-8 (FD)

U : Tape & Reel

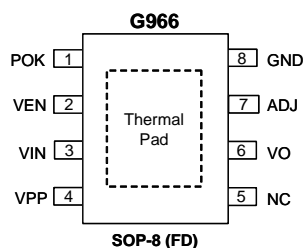
e.g. 25 denotes the 2.5V output voltage

### General Description

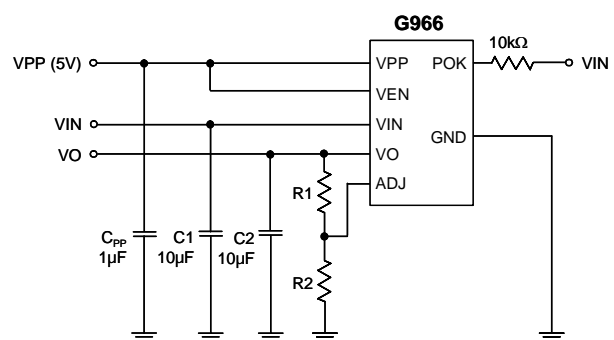
The G966 is a high performance positive voltage regulator designed for use in applications requiring very low Input voltage and very low dropout voltage at up to 2 amps. It operates with a  $V_{IN}$  as low as 1.4V and VPP voltage 5V with output voltage programmable as low as 0.8V. The G966 features ultra low dropout, ideal for applications where  $V_{OUT}$  is very close to  $V_{IN}$ . Additionally, the G966 has an enable pin to further reduce power dissipation while shutdown. The G966 provides excellent regulation over variations in line, load and temperature. The G966 provides a power OK signal to indicate if the voltage level of  $V_O$  reaches 92% of its rating value.

The G966 is available in the power SOP-8 (FD) package. It is available with 2.5V internally preset outputs that are also adjustable using external resistors.

### Pin Configuration



### Typical Application Circuit



$$V_O = \frac{0.8 (R_1 + R_2)}{R_2} \text{ Volts}$$

$R_2 < 120k\Omega$  is recommended