

1.5A Low Dropout Regulator with Dual Input Voltage

Features

- Adjustable Output Low to 0.8V
- Input Voltage as Low as 1.4V and VPP Voltage 5V
- 300mV Dropout @ 1.5A, VO 1.2V
- Over Current and Over Temperature Protection
- Low Reverse Leakage (Output to Input)
- Power MSOP-8 Packages
- ±2% Output Voltage
- 1.2V, 1.5V, 1.8V and 2.5V Options by Setting ADJ Pin Below 0.2V and Adjustable Externally Using Resistors
- VO Pull Low Resistance when Disable

Applications

- Motherboards
- Peripheral Cards
- Network Cards
- Set Top Boxes
- Notebook Computers

Ordering Information

ORDER NUMBER	MARKING	TEMP. RANGE	PACKAGE (Green)
G969A-12ADJP81U	969A-12	-40°C~+85°C	MSOP-8
G969A-15ADJP81U	969A-15	-40°C~+85°C	MSOP-8
G969A-18ADJP81U	969A-18	-40°C~+85°C	MSOP-8
G969A-25ADJP81U	969A-25	-40°C~+85°C	MSOP-8

Note: P8: MSOP-8

1: Bonding Code

U : Tape & Reel

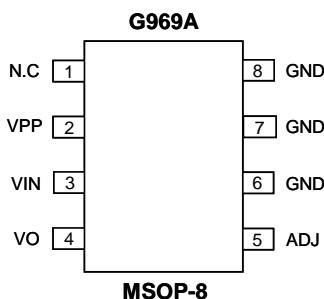
e.g. 18 denotes the 1.8V output voltage

General Description

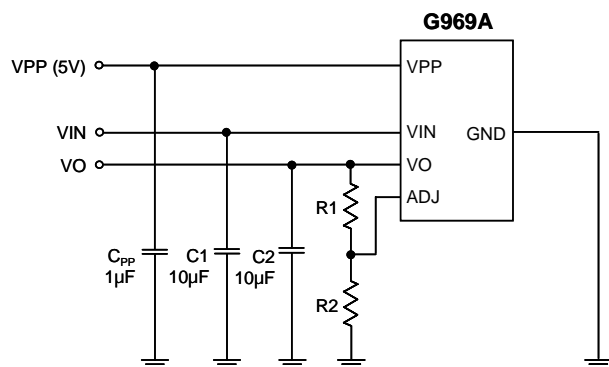
The G969A is a high performance positive voltage regulator designed for use in applications requiring very low Input voltage and very low dropout voltage at up to 1.5 amps. It operates with a V_{IN} as low as 1.4V and VPP voltage 5V with output voltage programmable as low as 0.8V. The G969A features ultra low dropout, ideal for applications where V_{OUT} is very close to V_{IN} . The G969A provides excellent regulation over variations in line, load and temperature. The G969A provides a power OK signal to indicate if the voltage level of VO reaches 92% of its rating value.

The G969A is available in the power MSOP-8 package. It is available with 1.2V, 1.5V, 1.8V and 2.5V internally preset outputs that are also adjustable using external resistors.

Pin Configuration



Typical Application Circuit



$$VO = \frac{0.8 (R1+R2)}{R2} \text{ Volts}$$

R2 < 120kΩ is recommended