

1.6X Linear Fan Driver

Features

- VO Follows 1.6 Times of VSET
- 150mV Dropout @ 0.5A
- Over Current and Over Temperature Protection
- Enable Pin
- 10µA Quiescent Current in Shutdown
- Power SOP-8 Package

Applications

- Notebook Computer Fan Driver
- Battery Powered Systems
- Motherboards
- Peripheral Cards

General Description

The G990 is a high performance positive voltage regulator designed for use in applications requiring very low dropout voltage at up to 0.5 Amps. The G990 VO output voltage follows the 1.6 times of VSET voltage until it reaches VIN voltage. The VSET voltage must be larger than 1V to guarantee VO 1.6 times of VSET. An enable pin further reduces power dissipation while shut down. The G990 provides excellent regulation over variations in line, load and temperature.

The G990 is available in the power SOP-8 package.

Ordering Information

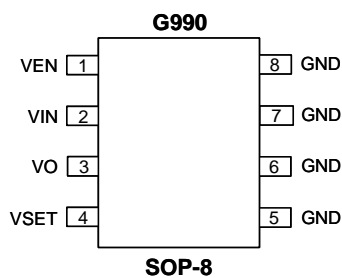
ORDER NUMBER	MARKING	TEMP. RANGE	PACKAGE (Green)
G990P11U	G990	-40°C ~ +85°C	SOP-8

Note: P1: SOP-8

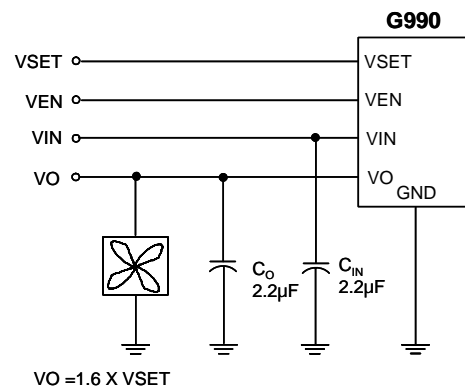
1: Bonding Code

U: Tape & Reel

Pin Configuration



Typical Application Circuit



1.6X Linear Fan Driver

Features

- VO Follows 1.6 Times of VSET
- 150mV Dropout @ 0.5A
- Over Current and Over Temperature Protection
- Enable Pin
- 10 μ A Quiescent Current in Shutdown
- Power SOP-8, SOT-89-5 Package

Applications

- Notebook Computer Fan Driver
- Battery Powered Systems
- Motherboards
- Peripheral Cards

General Description

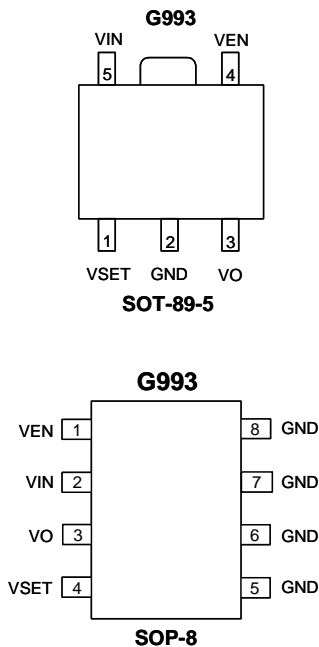
The G993 is a high performance positive voltage regulator designed for use in applications requiring very low dropout voltage at up to 0.5 Amps. The G993 VO output voltage follows the 1.6 times of VSET voltage until it reaches VIN voltage. The VSET voltage must be larger than 1V to guarantee VO 1.6 times of VSET. An enable pin further reduces power dissipation while shut down. The G993 provides excellent regulation over variations in line, load and temperature.

The G993 is available in the power SOP-8, SOT-89-5 package.

Ordering Information

ORDER NUMBER	ORDER NUMBER (Pb free)	MARKING	TEMP. RANGE	PACKAGE
G993TEU	G993TEUf	993	-40°C ~ +85°C	SOT-89-5
G993P1U	G993P1Uf	G993	-40°C ~ +85°C	SOP-8

Pin Configuration



Typical Application Circuit

